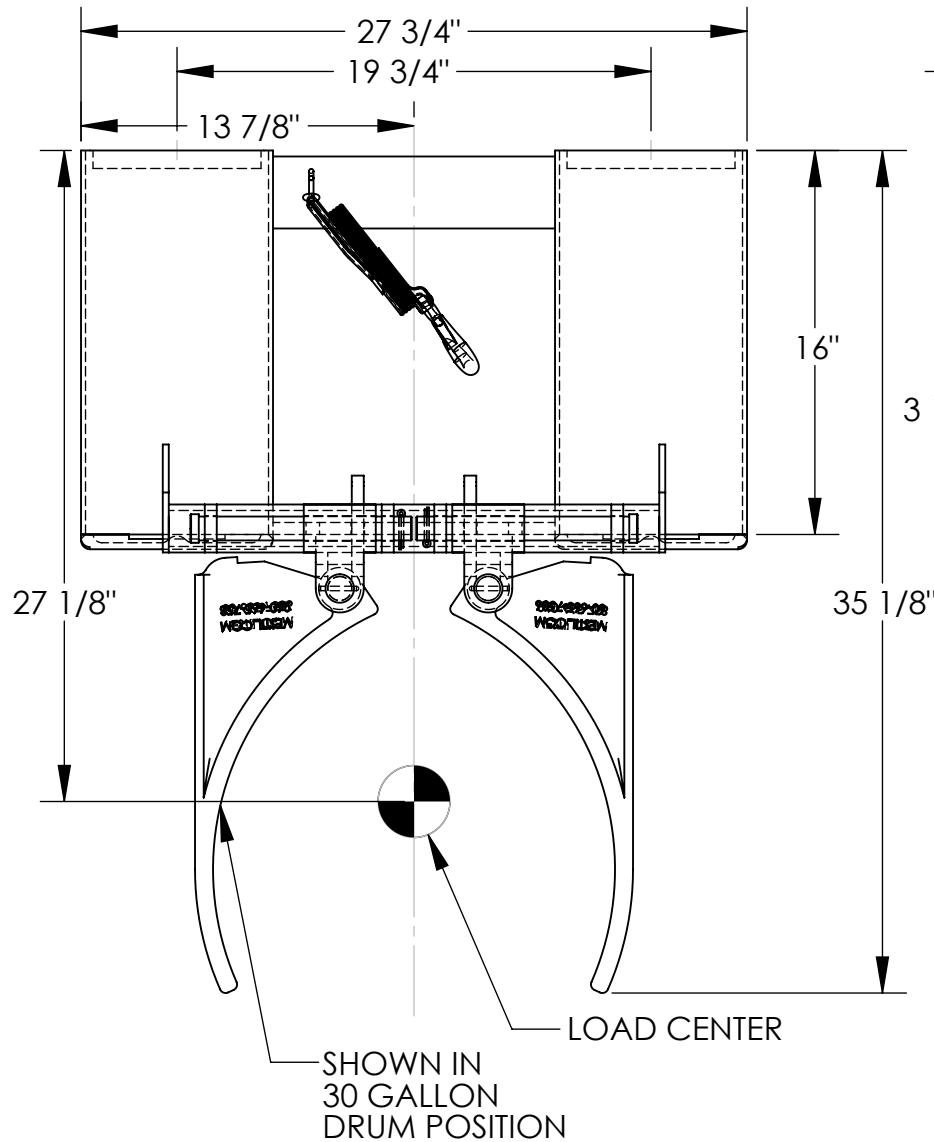


# SINGLE DRUM GRIPPER - DGS-A

APPROX WEIGHT: 109.00 lbs.  
 DOES NOT INCLUDE WEIGHT OF POWER OR PACKAGING!!!

\*\*\* ANY ADDITIONS, DELETIONS, OR OMISSIONS MUST BE CORRECTED ON THIS DRAWING AS THIS DRAWING WILL BE CONSIDERED ALL INCLUSIVE \*\*\*

ALL GRAPHICS PROVIDED ARE FOR REFERENCE ONLY. IF CERTAIN DIMENSIONS ARE CRITICAL PLEASE VERIFY THOSE DIMENSIONS WITH YOUR SALESPERSON



## STANDARD FEATURES

MODEL NUMBER: DGS-A  
 CAPACITY: 800 LBS.  
 HOLDS A 30 OR 55 GALLON STEEL DRUM  
 FORK POCKETS ARE  
 7 1/2" W x 2 1/2" H OVERALL &  
**7 1/2" W X 1 3/4" H USABLE**  
 ON 19 3/4" CENTERS  
 (EFFECTIVE THICKNESS EQUALS THE  
 TOTAL FORK LENGTH MINUS THE  
 FORK TUBE LENGTH)

## SPECIAL FEATURES

NONE

CENTER OF GRAVITY

**APPROVAL**

I, THE UNDERSIGNED, AGREE THAT THE PRODUCT AS REPRESENTED SATISFIES DESIGN AND DIMENSION REQUIREMENTS. I ALSO ACKNOWLEDGE MY DUTY TO CONFIRM PRODUCT AND INSTALLATION COMPLIANCE WITH ALL APPLICABLE FEDERAL, STATE AND LOCAL REGULATIONS AND STANDARDS.

**ALL SPECIAL UNITS ARE NON-RETURNABLE**  
 As drawn     As marked

Signed: \_\_\_\_\_ Date: \_\_\_\_\_

LEAD TIME WILL START UPON RECEIPT OF SIGNED APPROVAL DRAWING

DISTRIBUTOR'S NAME:		P.O.#
VESTIL MANUFACTURING		X
DRAWN BY: KY		W.O.#
DATE: 5/26/05		X
REFERENCE: X	SCALE: 1:8	SALES: X
QUOTED LEAD TIME: X	QUOTE #	FILE NAME:
	X	09-007-086