

A company dedicated to solving ergonomic and material handling problems since 1955.

Ergonomic Solutions

OWNERS MANUAL

WORK PLATFORM

MODEL WP, WP-3737-FD and SP-175

Contents

Warnings and Safety Instructions	1	Caster Installation	5
Operation Instructions	2-3	Emergency Stop Option	6
Receiving Instructions & Warranty	4	Parts List	7
Maintenance & Safety Checks	4	Warning Labels	8

WARNINGS & SAFETY INSTRUCTIONS

Ensure that all employees understand and follow the following instructions.

- Read and understand the owner's manual before using the work platform.
- Ensure that all safety and warning labels stay in place and are legible. See the labels page in this manual.
- Observe all applicable OSHA laws regulating the use of this platform.
- *Warning:* Each person aboard the work platform must wear appropriate fall prevention gear and keep it tethered to the platform at the lanyard attachment point at all times.
- The work platform cannot have a width greater than the overall width of the fork truck being used (measured across the load bearing tires) plus 250mm on either side.
See ASME/ANSI B56.1; 7.36.3(e).
- Ensure that the forks are fully inserted through both sets of the fork pockets.
- Secure the work platform to the forklift mast before use.
- Do not use the work platform if any damage to the standing surface, the handrails, or any part of the gate is observed.
- Do not use the work platform unless the fork tine lock, securing chain, and gate latch are all in good condition and functioning properly.
- The fork truck's parking brake must be applied before elevating the work platform.
- Never transport personnel in basket at any time. Personnel are to be raised and lowered only.
- A fork truck carrying a work platform must only be used on a firm and level finished surface in good

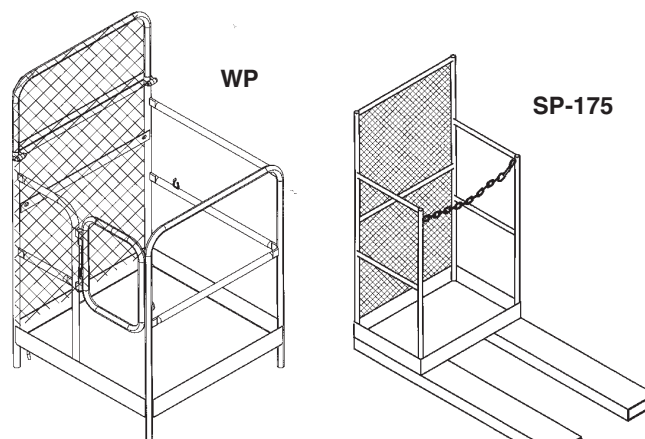
repair, and the truck's forks must be kept level with the ground at all times.

- Be alert for personnel moving underneath the platform.
- *Warning:* Do not use any part of the gate, siderails, or safety chains as a step, or as a support for leaning out of the work platform.
- *Warning:* Never use the platform to lift or support any type of structural load. It is to be used only to lift and transport personnel along with their associated light tools and equipment.
- Do not use the optional caster kit to support and / or move the platform while personnel or equipment are aboard. Always elevate the platform off the floor when transporting equipment or personnel!
- Fork truck manufacturers are to be consulted when accessories are used that affect the truck's capacity and safe operation. The stockpicker's load-loss and center-of-gravity will be made available on request. See OSHA 1910.178(a)5.

E
N
G
L
I
S
H

E
S
P
A
N
O
L

F
R
A
N
Ç
A
I
S



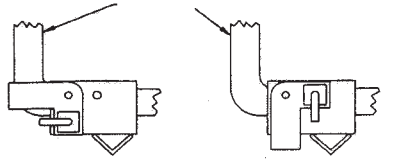
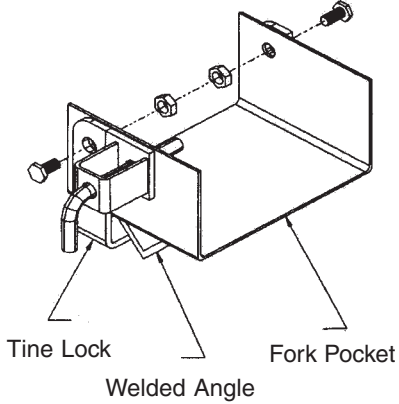
**WORK PLATFORM
MODEL WP, WP-3737-FD and SP-175**

OPERATION INSTRUCTIONS - WP, SP

*You must read and understand all the following instructions carefully before using the work platform.
Consult the manufacturer for any questions not resolved to your satisfaction in this owner's manual.*

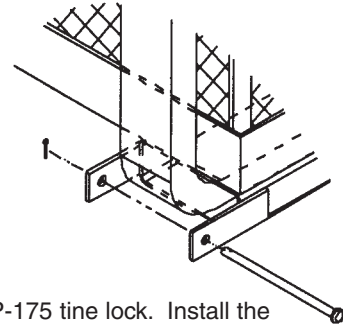
ATTACHING THE PLATFORM TO A FORK TRUCK:

Insert the fork truck's forks all the way into the backside fork tubes (opposite the gate side). Entering from the back side of the work platform, the forks must extend through the front fork pockets. Attach the platform to the fork truck's fork carriage with the securing chain, and capture the heel of the fork with the tine lock underneath the corner of the platform.



Locked **Unlocked**

WP tine lock. Pull the pin, then rotate the tine lock 90° until the pin locks.

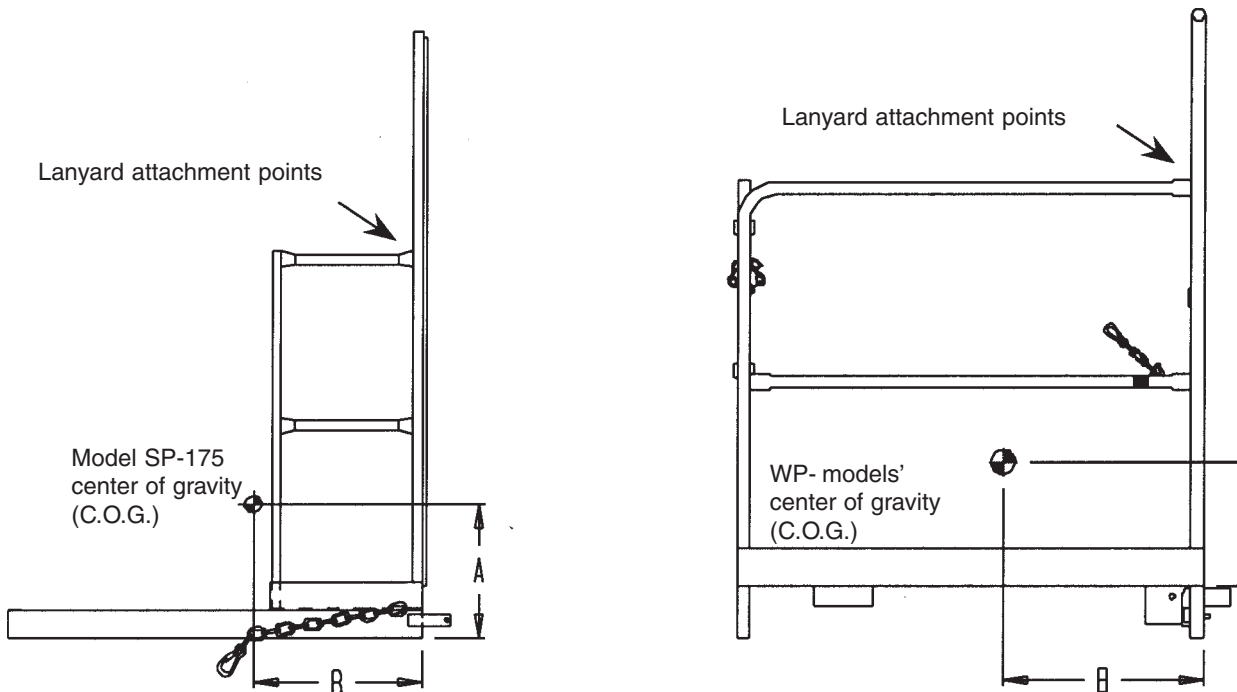


SP-175 tine lock. Install the pin after the fork is inserted.

CENTER OF GRAVITY AND LOAD LOSS INFORMATION

	WP-4848 (-DD)	WP-3648 (-DD)	WP-3636 (-DD)	SP-175	WP-3737-FD
Vert. C.O.G. (A)	13-1/2"	13-1/2"	15-1/2"	15"	16 - 1/2"
Horiz. C.O.G. (B)	21-3/4"	21-3/4"	17"	21-1/2"	18"
Lost Load (lbs.)	240	190	160	210	175

Note: For the 84" high back units, add 12 pounds.



LOADING THE PLATFORM:

The model WP work platform and model SP stock picker are medium-duty platforms intended to be used with a sit-down rider, high lift fork truck having a minimum load capacity of 3,000 pounds at a 24" load center.

The model WP's (all models) net load rating of 1,000 pounds is shown on the safety instructions placard mounted on its expanded metal back. The platform is intended to be used to lift personnel along with their associated light tools and equipment to allow work and inspections to be safely performed on elevated equipment. The maximum occupancy for model WP-3737-FD is one person. For all other WP models, maximum occupancy is two persons.

The model SP stock picker's net load rating is 2,000 pounds. It is intended to be used to lift one person and a skid to allow stock to be either removed from, or placed onto, shelves. A skid loaded onto the fork tubes must not at any time have a horizontal load center of more than 20" from the front of the stock picker platform.

- *Warning:* Damage to the platform or injury to personnel could result from exceeding a platform's listed capacity.

OPERATION AND USE:

Before using the work platform, review all of the items on the "Warning And Safety Instructions" page included herein!

Consult standard ANSI / ASME B56.1-2000, "Safety Standard For Low Lift and High Lift Fork Trucks," for further information regarding proper procedures to be used when operating a fork truck with a work platform attached.

- Before entering the work platform, verify that it is positively secured to the fork truck mast by both the securing chain and the tine lock. Inspect all of the platform structure for signs of damage, and verify that the gate latch and / or chain(s) will secure properly.
- For the standard model WP: enter the work platform and pull the gate closed. The latch will automatically rotate and drop into the locked position. Push outward on the gate to verify it has locked. Secure the gate with its safety chain.

For model WP-xxxx-DD: upon entering this work platform from either side, the doors will close automatically once you are clear of them. Verify that both gates are fully closed before allowing the platform to be raised.

For model WP-3737-FD: enter the platform from either side and pull the gate closed. Rotate the gate latch up before closing the gate fully. With the gate up against the latch stop, push the gate latch down so that the door is secured.

Push outward on both gates to verify they are locked. Secure each gate to the back frame with its own safety chain.

For model SP175: Enter the platform and latch each of the safety chains. The SP should be positioned parallel, not perpendicular, to the stock's shelving.

- *Warning:* Do not lean against the handrails or safety chains to support the weight of your body.
- For all units: *Warning:* Latch your safety harness rope to an attachment slot on either end of the angle that runs across the back of the platform.
- *Caution:* Use the work platform only on a smooth, level, finished surface. Avoid sudden stops or quick turns.
- *Caution:* Set the parking brake before lifting personnel overhead.
- *Caution:* Hold onto the handrail on two sides of the work platform whenever it is in motion.
- *Caution:* The optional caster kit is designed to allow for easier access to and storage of the work platform. It is not designed to allow for movement of the platform across a floor while personnel or equipment are in the platform.
- An optional stop button kit is available to allow personnel on the work platform to disable the ignition system of fork trucks powered by combustible engines. For installation on electric fork trucks, consult the manufacturer for proper installation instructions.

INSTRUCTIONS TO FOLD DOWN / SET UP THE MODEL WP-3737-FD:

- *Caution:* use reasonable care when folding down or setting up the work platform in order to avoid having hands and / or fingers become pinched between the folding parts.

When you wish to fold down the work platform for storage:

- Fold the gates back against the front side, then lift the front side so that the bottom post pins are at the top of their slots. Pivot the folded gates and front side down into the platform.
- Pull up the top half of the back section of the work platform up so that the center post pins can slide into their horizontal slots. Rotate the top section downward so that it is folded against the lower back section. Pull the folded sections up so the bottom post pins are at the top of their slots, then rotate the sections down into the platform.

RECEIVING INSTRUCTIONS

Every unit is thoroughly tested and inspected prior to shipment. However, it is possible that the unit may incur damage during transit. If you see damage when unloading make a note of it on the SHIPPER RECEIVER.

Remove all packing and strapping material and inspect unit for damage.

IF DAMAGE IS EVIDENT, FILE A CLAIM WITH THE CARRIER IMMEDIATELY!

WARRANTY

This product is warranted for 90 DAYS from date of purchase to be free of manufacturing defects in material and workmanship. The manufacturer's obligation hereunder is limited to repairing such products during the warranty period, provided the product is sent prepaid back to the factory.

This warranty does not cover normal wear of parts or damage resulting from any of the following: negligent use or misuse of the product, use or application contrary to installation instructions, or disassembly, repair or alteration by any person prior to authorization from a factory representative.

ORDERING REPLACEMENT PARTS

We take pride in using quality parts on the equipment we manufacture. We are not responsible for equipment problems resulting from the use of unapproved replacement parts.

To order replacement or spare parts for this equipment, contact the factory.

In any communication with the factory please be prepared to provide the platform's serial number.

ROUTINE MAINTENANCE & SAFETY CHECKS

(A) Before each use inspect for the following:

- 1.) Proper operation of the tine lock.
- 2.) Proper operation of the securing chain's snap.
- 3.) Proper operation of the gate's latch and chain.
- 4.) Obvious damage to, or structural deformation of, the base, handrails, and gate.
- 5.) Wear or damage to the safety harness lanyard attachment angle.
- 6.) Wear or possible damage to the safety harness lanyard or its clasp.
- 7.) (If applicable) Proper attachment of the casters to the bottom of the platform. Bending or damage to the casters.

(B) Inspect monthly for:

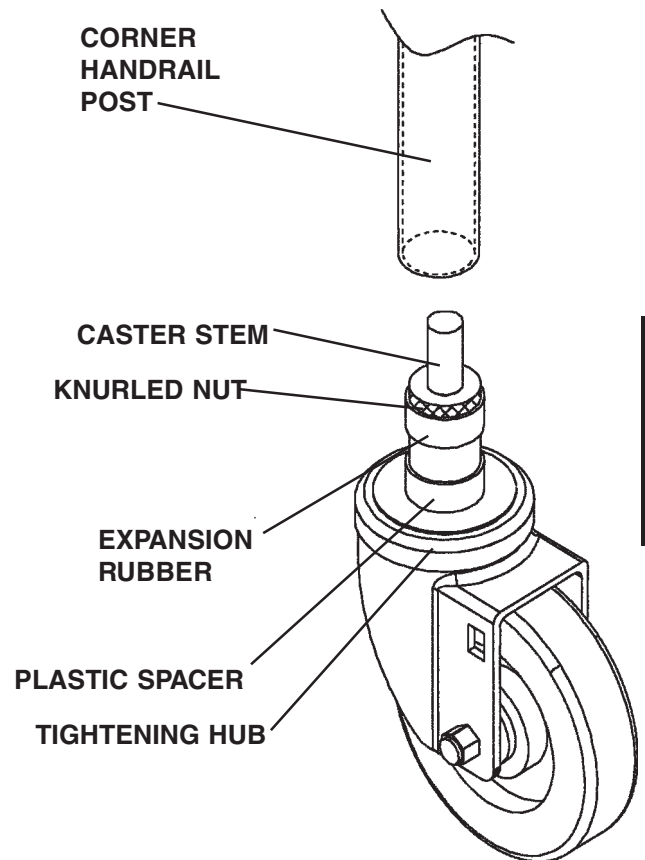
- 1.) Worn, loose, or damaged hardware on the tine lock, safety chains, gate latch, gate hinges, and casters (if applicable).
 - 2.) Damage to the fork pockets or the optional casters.
 - 3.) The overall condition of the platform.
 - 4.) The integrity of the welds at all joints.
 - 5.) Overall squareness and rigidity of the platform.
 - 6.) Information and warning labels being in place and in good condition.
 - 7.) The need to clean off rust, dirt and debris.
- Maintenance and repairs are to be done only by personnel qualified to perform the required work.
 - *Caution:* Do not perform any modifications to the platform without the manufacturer's approval. Failure to receive authorization for changes to the equipment could void the warranty.

INSTRUCTIONS FOR: MOUNTING THE WP-CA CASTER KIT

READ ALL INSTRUCTIONS BEFORE PROCEEDING!

Only trained and qualified service personnel should work on this equipment!

1. Verify that the bottoms of all four of the platform's corner handrail posts are undamaged and that there is no foreign material plugging the inside of the posts.
2. Raise the work platform high enough to allow the casters to be inserted into the bottom of each of the four posts.
3. Verify that the stems of the casters have, in this order from the rig to the end of the stem: a plastic spacer, a black rubber expansion sleeve, and a knurled nut.
4. Hold onto the 2-1/2" tightening hub at the top of the caster rig with your hand and snug the knurled nut against the top rubber expansion sleeve.
5. Insert the caster stem into the bottom of the post until the tightening hub is up against the bottom of the handrail post.
6. Turn the tightening hub counterclockwise. If the hub doesn't tighten, apply side pressure to the caster while turning the hub.
Note: Be sure that the tightening hub stays up against the bottom of the handrail post when tightening.
7. Once hand-tightened as far as possible, pull downward on the caster rig to be certain the caster is held securely in the post.



CAUTIONS:

- ***Inspect the casters regularly for damage and to verify that the caster stem is still inserted fully and that it is securely held in the post.***
- The casters are intended to be used only on solid, smooth finished surfaces.
- Do not roll a platform across a surface when loaded with equipment or personnel. The casters are only intended to facilitate moving an unloaded platform.
- Do not lower the platform to the floor at a rate greater than one foot per second.

EMERGENCY STOP BUTTON WP-SB

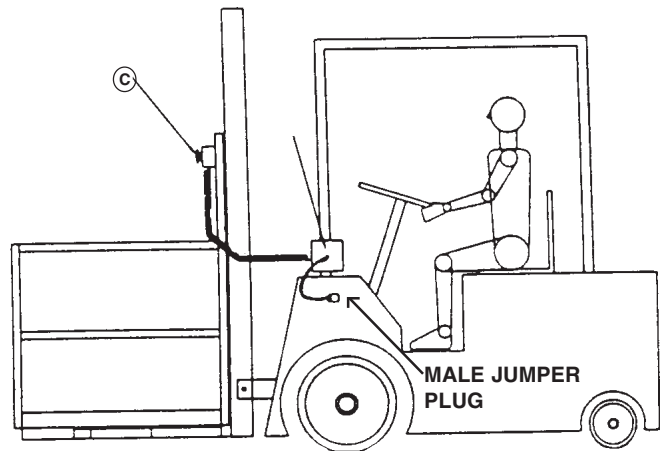
FIGURE C:
WORK PLATFORM
JUNCTION BOX



FIGURE B:
FORK TRUCK
JUNCTION BOX



FIGURE "A"



BILL OF MATERIALS

ITEM NO.	DESCRIPTION	QUANTITY
1.	1/4 - 20 x 1 Machine Bolt	8
2.	1/4 - 20 Lock Nut	8
3.	1/4 Flat Washer	8
4.	1/4 Fender Washer	4
5.	Fork Truck Junction Box (pre-assembled)	1
6.	Work Platform Junction Box (pre-assembled)	1

GAS POWERED FORK TRUCKS

- 1) Mount the supplied 4" square junction box with the short pig tail near the front of the fork truck (see figure "A") using the 1/4"-20 x 1" machine bolts and lock nuts provided.
- 2) Disconnect the wire on the key switch coming from the ignition coil and attach it to one of the receptacle terminals inside the junction box mounted on the fork truck's dashboard.
- 3) Connect the appropriate wire from the ignition key switch to the other receptacle terminal inside of the fork truck mounted junction box.
- 4) Mount the "Emergency Stop" junction box inside the work platform within easy reach of the operator/maintenance person.

NOTE: Fork trucks powered by Battery or Diesel fuel: contact the fork truck manufacturer for installation instructions.

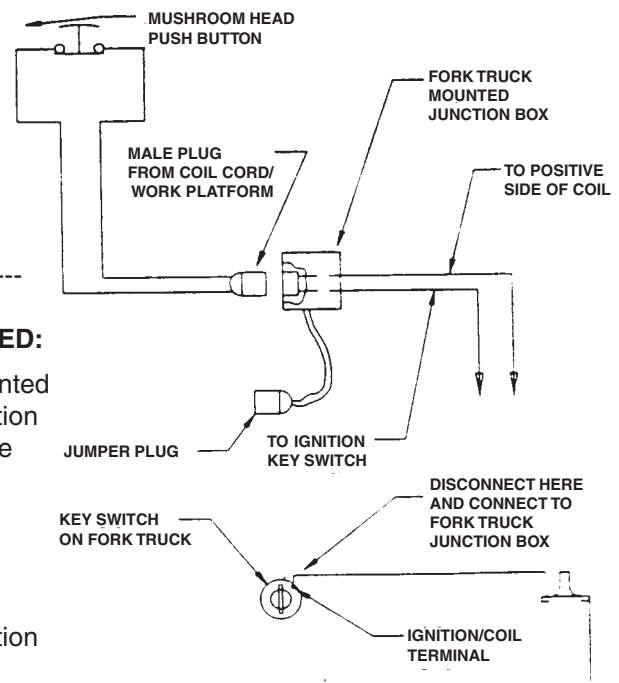
OPERATING INSTRUCTIONS

FOR USE WITHOUT THE WORK PLATFORM ATTACHED:

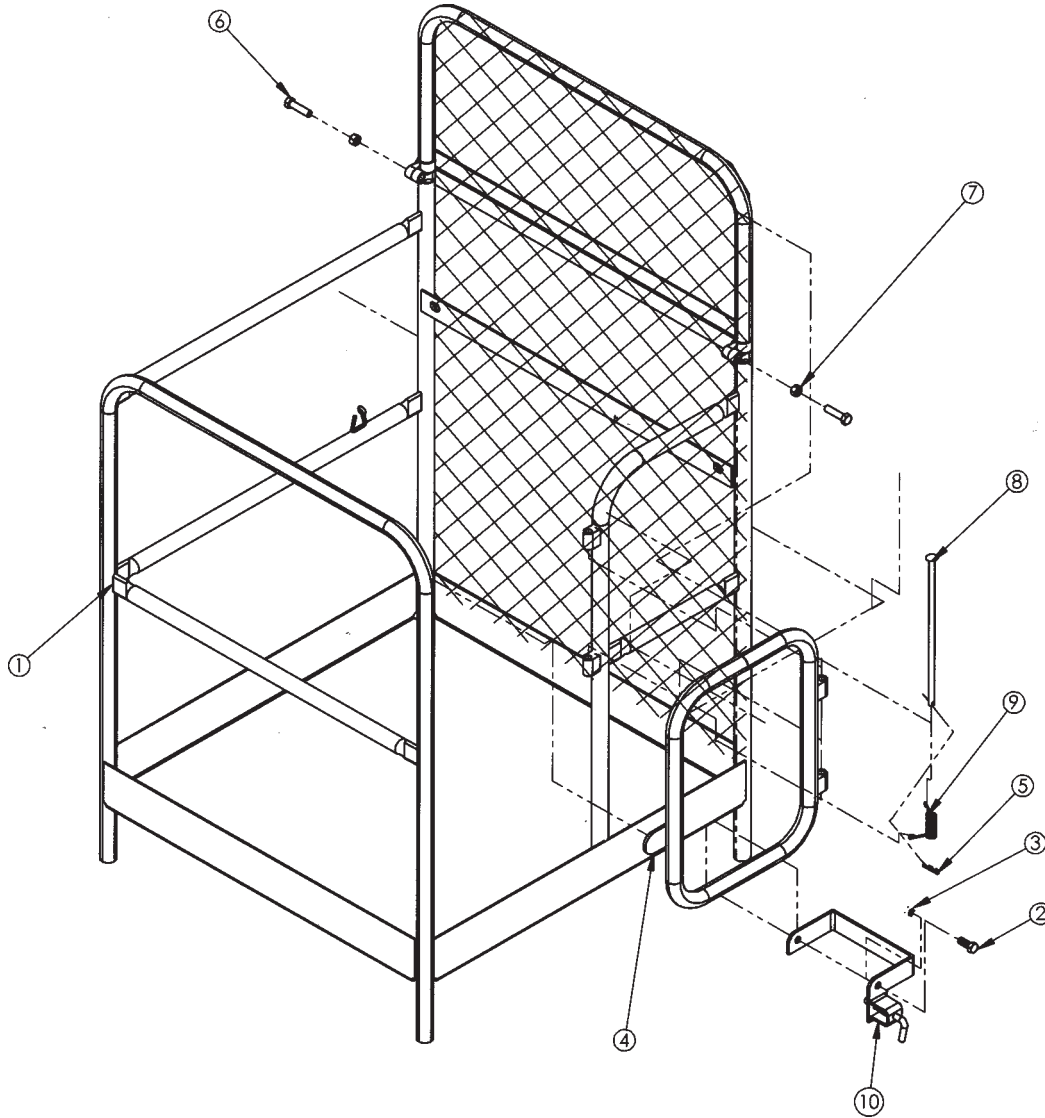
- 1) Plug the 12" long jumper plug into the fork truck mounted junction box. This will provide the necessary connection for operation without the work platform attached to the fork truck.

FOR USE WITH THE WORK PLATFORM ATTACHED:

- 2) Plug the 20' coil cord into the fork truck mounted junction box. This will provide the necessary connection for operation with the work platform attached. (The mushroom head pushbutton must be pulled out).



PARTS IDENTIFICATION
models WP-3636, WP-3648, WP-4848



**E
N
G
L
I
S
H**

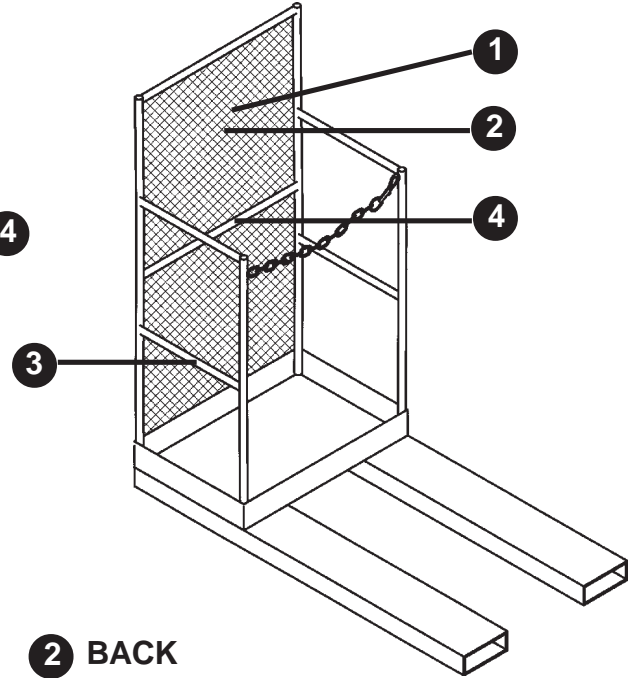
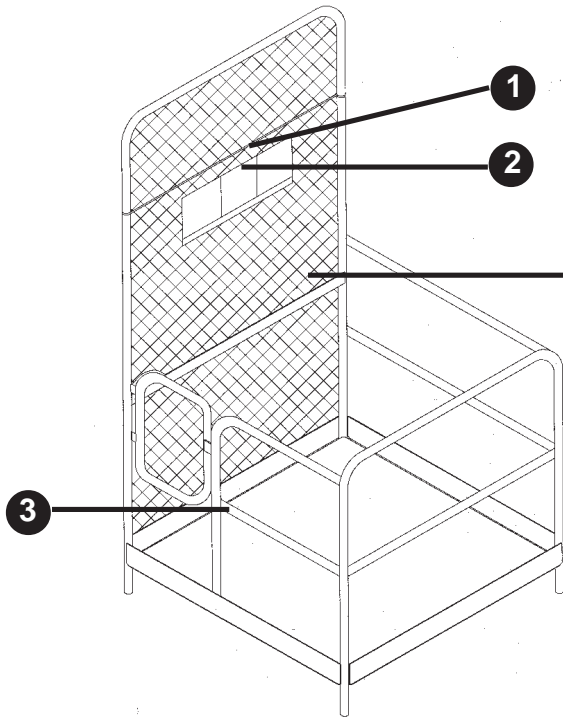
PARTS IDENTIFICATION
models WP-3636, WP-3648, WP-4848

ITEM NO.	DESCRIPTION	PART NO.	QTY.
1	FRAME, WELDMENT	14-514-118	1
2	HHCS #2 Z PLATED, 1/2" - 13 X 1-1/4" LG	11207	2
3	1/2" - 13 NYLON INSERT LOCK NUT	37030	2
4	WELDMENT, HINGED GATE, WP-DD	14-514-093	1
5	#11 HITCH PIN CLIP	45286	1
6	1/2" X 2" HEX HEAD	10211	2
7	1/2" - 13 UNC HEX NUT	36109	2
8	7/16" X 14" LG ROUND HEAD PIN	14-112-009	1
9	9/16" X 2-1/4" LG SPRING	14-146-002	1
10	ASSEMBLY, TINE LOCK, WP	14-537-007	1

WARNING LABEL IDENTIFICATION

MAKE SURE ALL WARNING LABELS ARE IN PLACE!

Most of our labels will be trilingual. The labels on the Fold Down Work Platform are located in approximately the same locations as on the standard Work Platform.



1

2 BACK

▲ WARNING	▲ ADVERTENCIA	▲ AVERTISSEMENT
<p>WORK PLATFORM SAFETY INSTRUCTIONS</p> <ol style="list-style-type: none"> 1. SECURE WORK PLATFORM SAFETY STRAP AND TINE LOCKS. 2. DO NOT MOVE FORK TRUCK OR PLATFORM THROUGH ANY PART OF THE PLATFORM'S PATH. 3. DO NOT OPERATE PLATFORM WITH SAFETY STRAP UNLOCKED. 4. DO NOT MOVE FORK TRUCK OR PLATFORM THROUGH ANY PART OF THE PLATFORM'S PATH. 5. DO NOT OPERATE PLATFORM THROUGH ANY PART OF THE PLATFORM'S PATH. 6. DO NOT OPERATE PLATFORM THROUGH ANY PART OF THE PLATFORM'S PATH. 7. DO NOT OPERATE PLATFORM THROUGH ANY PART OF THE PLATFORM'S PATH. 8. DO NOT OPERATE PLATFORM THROUGH ANY PART OF THE PLATFORM'S PATH. 9. DO NOT OPERATE PLATFORM THROUGH ANY PART OF THE PLATFORM'S PATH. 10. DO NOT OPERATE PLATFORM THROUGH ANY PART OF THE PLATFORM'S PATH. 11. DO NOT OPERATE PLATFORM THROUGH ANY PART OF THE PLATFORM'S PATH. 12. DO NOT OPERATE PLATFORM THROUGH ANY PART OF THE PLATFORM'S PATH. 13. DO NOT OPERATE PLATFORM THROUGH ANY PART OF THE PLATFORM'S PATH. 14. DO NOT OPERATE PLATFORM THROUGH ANY PART OF THE PLATFORM'S PATH. <p>Minimum Forklift Capacity: 3000 lbs. Minimum Forklift Capacity: 1,000 lbs. Platform Weight: 3000 lbs.</p>	<p>INSTRUCCIONES DE SEGURIDAD DE LA PLATAFORMA DE TRABAJO</p> <ol style="list-style-type: none"> 1. ASEGURE LA PLATAFORMA DE TRABAJO A LA TRANSPALETA CON LA CORREA DE SEGURIDAD Y EL CIERRE. 2. NO MUEVA LA PLATAFORMA HACIA DELANTE O HACIA DETRAS SI ESTA OCUPADA. 3. NO MUEVA LA PLATAFORMA HACIA DELANTE O HACIA DETRAS SI ESTA OCUPADA. 4. NO MUEVA LA PLATAFORMA HACIA DELANTE O HACIA DETRAS SI ESTA OCUPADA. 5. NO MUEVA LA PLATAFORMA HACIA DELANTE O HACIA DETRAS SI ESTA OCUPADA. 6. NO MUEVA LA PLATAFORMA HACIA DELANTE O HACIA DETRAS SI ESTA OCUPADA. 7. NO MUEVA LA PLATAFORMA HACIA DELANTE O HACIA DETRAS SI ESTA OCUPADA. 8. NO MUEVA LA PLATAFORMA HACIA DELANTE O HACIA DETRAS SI ESTA OCUPADA. 9. NO MUEVA LA PLATAFORMA HACIA DELANTE O HACIA DETRAS SI ESTA OCUPADA. 10. NO MUEVA LA PLATAFORMA HACIA DELANTE O HACIA DETRAS SI ESTA OCUPADA. 11. NO MUEVA LA PLATAFORMA HACIA DELANTE O HACIA DETRAS SI ESTA OCUPADA. 12. NO MUEVA LA PLATAFORMA HACIA DELANTE O HACIA DETRAS SI ESTA OCUPADA. 13. NO MUEVA LA PLATAFORMA HACIA DELANTE O HACIA DETRAS SI ESTA OCUPADA. 14. NO MUEVA LA PLATAFORMA HACIA DELANTE O HACIA DETRAS SI ESTA OCUPADA. <p>Capacidad máxima de forklift: 3000 lbs. Capacidad máxima de forklift: 1000 lbs. Peso de la plataforma: 3000 lbs.</p>	<p>INSTRUCTIONS DE SÉCURITÉ POUR PLATE-FORME DE TRAVAIL</p> <ol style="list-style-type: none"> 1. ATTACHEZ SÛREMENT LA PLATE-FORME DE TRAVAIL À LA TRANSPALETTE AVEC LA CEINTURE DE SÉCURITÉ ET LE VERROU. 2. NE PAS DÉPLACER LA PLATE-FORME DE TRAVAIL EN AVANT NI EN ARRIÈRE SI ELLE EST OCCUPÉE. 3. NE PAS DÉPLACER LA PLATE-FORME DE TRAVAIL EN AVANT NI EN ARRIÈRE SI ELLE EST OCCUPÉE. 4. NE PAS DÉPLACER LA PLATE-FORME DE TRAVAIL EN AVANT NI EN ARRIÈRE SI ELLE EST OCCUPÉE. 5. NE PAS DÉPLACER LA PLATE-FORME DE TRAVAIL EN AVANT NI EN ARRIÈRE SI ELLE EST OCCUPÉE. 6. NE PAS DÉPLACER LA PLATE-FORME DE TRAVAIL EN AVANT NI EN ARRIÈRE SI ELLE EST OCCUPÉE. 7. NE PAS DÉPLACER LA PLATE-FORME DE TRAVAIL EN AVANT NI EN ARRIÈRE SI ELLE EST OCCUPÉE. 8. NE PAS DÉPLACER LA PLATE-FORME DE TRAVAIL EN AVANT NI EN ARRIÈRE SI ELLE EST OCCUPÉE. 9. NE PAS DÉPLACER LA PLATE-FORME DE TRAVAIL EN AVANT NI EN ARRIÈRE SI ELLE EST OCCUPÉE. 10. NE PAS DÉPLACER LA PLATE-FORME DE TRAVAIL EN AVANT NI EN ARRIÈRE SI ELLE EST OCCUPÉE. 11. NE PAS DÉPLACER LA PLATE-FORME DE TRAVAIL EN AVANT NI EN ARRIÈRE SI ELLE EST OCCUPÉE. 12. NE PAS DÉPLACER LA PLATE-FORME DE TRAVAIL EN AVANT NI EN ARRIÈRE SI ELLE EST OCCUPÉE. 13. NE PAS DÉPLACER LA PLATE-FORME DE TRAVAIL EN AVANT NI EN ARRIÈRE SI ELLE EST OCCUPÉE. 14. NE PAS DÉPLACER LA PLATE-FORME DE TRAVAIL EN AVANT NI EN ARRIÈRE SI ELLE EST OCCUPÉE. <p>Capacité maximale de chariot élévateur: 3000 kg. Capacité maximale de chariot élévateur: 1000 kg. Capacité maximale de chariot élévateur: 3000 kg.</p>
<p>FORK TRUCK ATTACHMENTS</p>		
<p>VESTIL MANUFACTURING CORPORATION • Angola, Indiana 46703 USA • Phone (260) 665-7500 • Fax (260) 665-7500 • sales@vestil.com • www.vestil.com</p>		

#080

▲ WARNING

SECURELY ATTACH PLATFORM TO FORKLIFT
with safety strap and tine lock

DO NOT MOVE LIFT WITH PLATFORM OCCUPIED
See owner's manual for complete instructions

▲ ADVERTENCIA

ASEGURE LA PLATAFORMA A LA TRANSPALETA
con la correa de seguridad y el cierre

**NO MUEVA LA PLATAFORMA HACIA DELANTE
O HACIA DETRAS SI ESTA OCUPADA.**
Ver el manual para instrucciones completas

▲ AVERTISSEMENT

ATTACHER SOLIDEMENT LA PLATE-FORME AU
CHARIOT ÉLEVATEUR À FOURCHE
avec attache de sécurité et serrure de bras de fourche

**NE PAS BOUGER EN AVANT OU EN ARRIÈRE LA
PLATE-FORME DE TRAVAIL SI ELLE EST OCCUPÉE.**
Regarder le manuel pour les instructions complètes

VESTIL MANUFACTURING CORPORATION
Phone (260) 665-7500 • www.vestil.com

#082

*Product safety signs or labels should be periodically inspected and cleaned by the product users as necessary to maintain good legibility for safe viewing distance . . . ANSI 535.4 (10.21)
Contact manufacturer for replacement labels if needed.

3

▲ WARNING

**SECURELY ATTACH SAFETY
CHAIN TO FORKLIFT**

VESTIL MANUFACTURING COMPANY • Angola, Indiana USA • Phone (260) 665-7586
sales@vestil.com • www.vestil.com

#525

4

▲ CAUTION

**FASTEN SAFETY
RESTRAINT HERE**

VESTIL MANUFACTURING COMPANY • Angola, Indiana USA • Phone (260) 665-7586
sales@vestil.com • www.vestil.com

#253