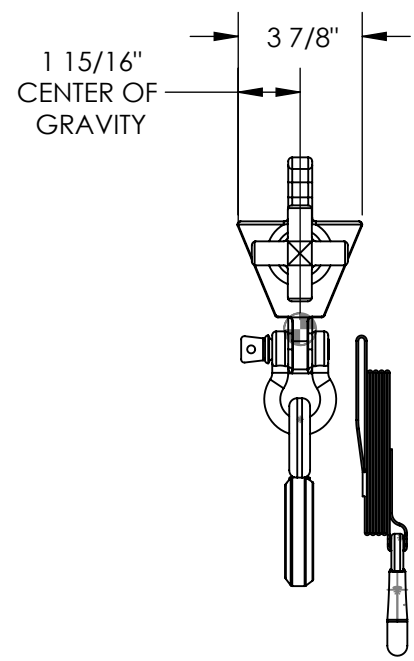
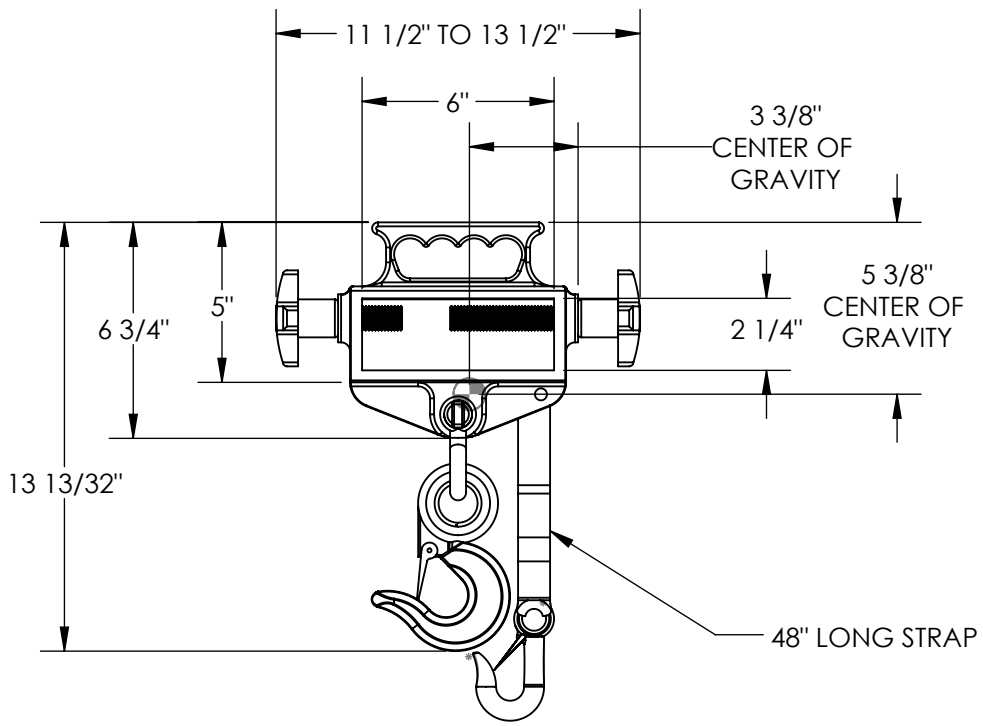


# SINGLE FORK/RIGID - S-FORK-4/6-RL

APPROX WEIGHT: 14.90 lbs.  
DOES NOT INCLUDE WEIGHT OF POWER OR PACKAGING!!!

\*\*\* ANY ADDITIONS, DELETIONS, OR OMISSIONS MUST BE CORRECTED ON THIS DRAWING AS THIS DRAWING WILL BE CONSIDERED ALL INCLUSIVE \*\*\*

ALL GRAPHICS PROVIDED ARE FOR REFERENCE ONLY. IF CERTAIN DIMENSIONS ARE CRITICAL PLEASE VERIFY THOSE DIMENSIONS WITH YOUR SALESPERSON



## STANDARD FEATURES

- MODEL NUMBER IS S-FORK-4/6-RL
- CAPACITY: 4,000 LBS
- OVERALL DEPTH: 3 7/8"
- BODY HEIGHT: 6 3/4" (EXCLUDES SHACKEL AND HOOK)
- OVERALL LENGTH: 13 13/32"
- USABLE FORK POCKET: 2 1/4" x 6"
- RIGID HOOK
- ADJUSTABLE WIDTH: 11 1/2" TO 13 1/3"

## SPECIAL FEATURES

NONE

NEVER EXCEED LOAD CENTER RATING PER FORK TRUCK MANUFACTURER'S GUIDELINES  
DO NOT USE THESE FORK EXTENTIONS IF LOAD WILL EXCEED FORK TRUCK MANUFACTURER'S LOAD CENTER RATING

DIMENSION TOLERANCE ± 1/4"

<b>A P P R O V A L</b>	I, THE UNDERSIGNED, AGREE THAT THE PRODUCT AS REPRESENTED SATISFIES DESIGN AND DIMENSION REQUIREMENTS. I ALSO ACKNOWLEDGE MY DUTY TO CONFIRM PRODUCT AND INSTALLATION COMPLIANCE WITH ALL APPLICABLE FEDERAL, STATE AND LOCAL REGULATIONS AND STANDARDS. <b>ALL SPECIAL UNITS ARE NON-RETURNABLE</b> [ ] As drawn [ ] As marked	
	Signed: _____ Date: _____	
	LEAD TIME WILL START UPON RECEIPT OF SIGNED APPROVAL DRAWING	

DISTRIBUTOR'S NAME: <b>VESTIL MANUFACTURING</b>		P.O.# X
DRAWN BY: <b>WHR</b>		DATE: <b>12/22/11</b>
REFERENCE: <b>X</b>		SALES: <b>X</b>
QUOTED LEAD TIME: <b>X</b>		SCALE: <b>1:6</b>
QUOTE # <b>X</b>		FILE NAME: <b>08-007-142-001</b>