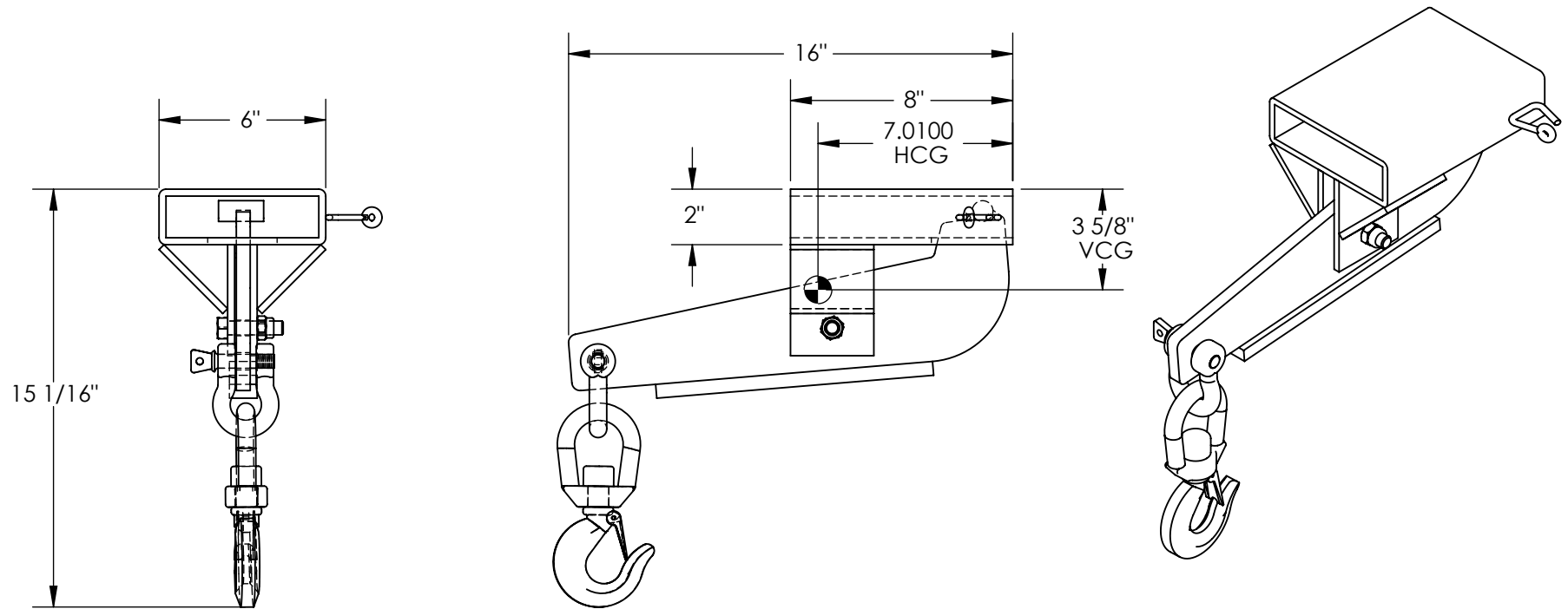


# MODEL NAME - SINGLE FORK AUTO-TENSION, S-FORK-4-AT

APPROX WEIGHT: 22.80 lbs.  
 DOES NOT INCLUDE WEIGHT OF POWER OR PACKAGING!!!

\*\*\* ANY ADDITIONS, DELETIONS, OR OMISSIONS MUST BE CORRECTED ON THIS DRAWING AS THIS DRAWING WILL BE CONSIDERED ALL INCLUSIVE \*\*\*

ALL GRAPHICS PROVIDED ARE FOR REFERENCE ONLY. IF CERTAIN DIMENSIONS ARE CRITICAL PLEASE VERIFY THOSE DIMENSIONS WITH YOUR SALESPERSON



## STANDARD FEATURES

- MODEL NUMBER IS S-FORK-4-AT
- OVERALL WIDTH IS 6"
- OVERALL LENGTH IS 16"
- FORK POCKET USABLE WIDTH IS 5 1/2"
- FORK POCKET USABLE HEIGHT IS 1 7/8"
- MAX CAPACITY IS 4,000 LBS
- LOST LOAD IS 21 LBS
- COLOR IS YELLOW

## SPECIAL FEATURES

NONE  
 NEVER EXCEED LOAD CENTER RATING PER FORK TRUCK MANUFACTURER'S GUIDELINES. DO NOT USE THIS FORK TRUCK ATTACHMENT IF LOAD WILL EXCEED FORK TRUCK MANUFACTURER'S LOAD CENTER RATING.

|   |  |             |
|---|--|-------------|
| A<br>P<br>P<br>R<br>O<br>V<br>A<br>L                                | I, THE UNDERSIGNED, AGREE THAT THE PRODUCT AS REPRESENTED SATISFIES DESIGN AND DIMENSION REQUIREMENTS. I ALSO ACKNOWLEDGE MY DUTY TO CONFIRM PRODUCT AND INSTALLATION COMPLIANCE WITH ALL APPLICABLE FEDERAL, STATE AND LOCAL REGULATIONS AND STANDARDS. |             |
|   | <b>ALL SPECIAL UNITS ARE NON-RETURNABLE</b>  |             |
|   | [ ] As drawn      [ ] As marked  |             |
| Signed: _____   |  | Date: _____ |
| <b>LEAD TIME WILL START UPON RECEIPT OF SIGNED APPROVAL DRAWING</b> |  |             |

|                             |  |            |
|-----------------------------|--|------------|
| DISTRIBUTOR'S NAME:         |  | P.O.#      |
| <b>VESTIL MANUFACTURING</b> |  | X          |
| DRAWN BY: X                 |  | W.O.#      |
| DATE: XX/XX/XX              |  | X          |
| REFERENCE: X                |  | SALES: X   |
| QUOTED LEAD TIME: X         |  | FILE NAME: |
| QUOTE # X                   |  | 08-007-242 |
| SCALE: 1:6                  |  |            |