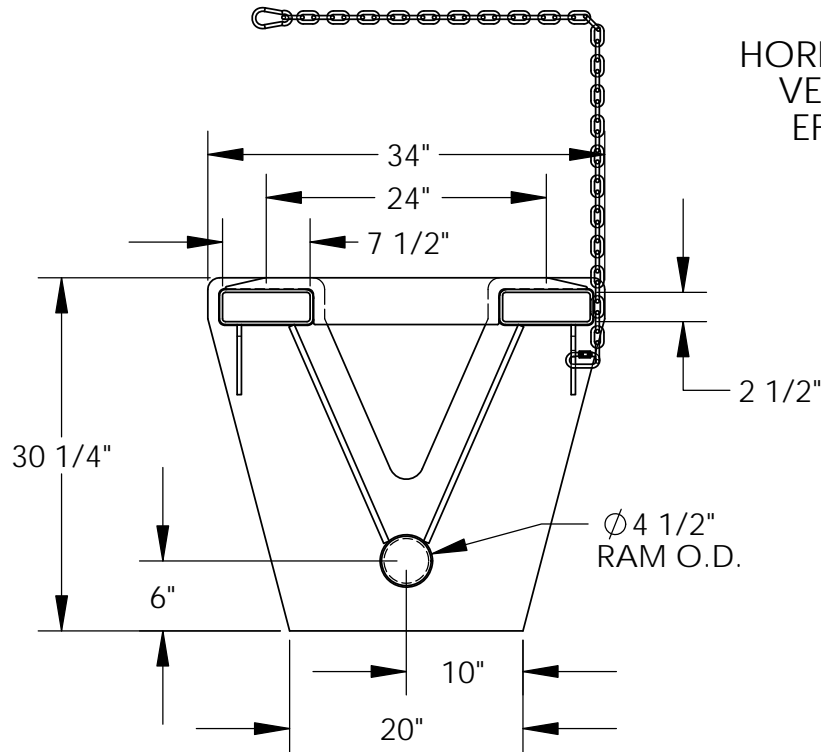


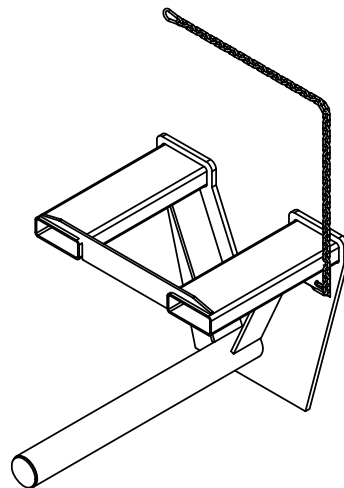
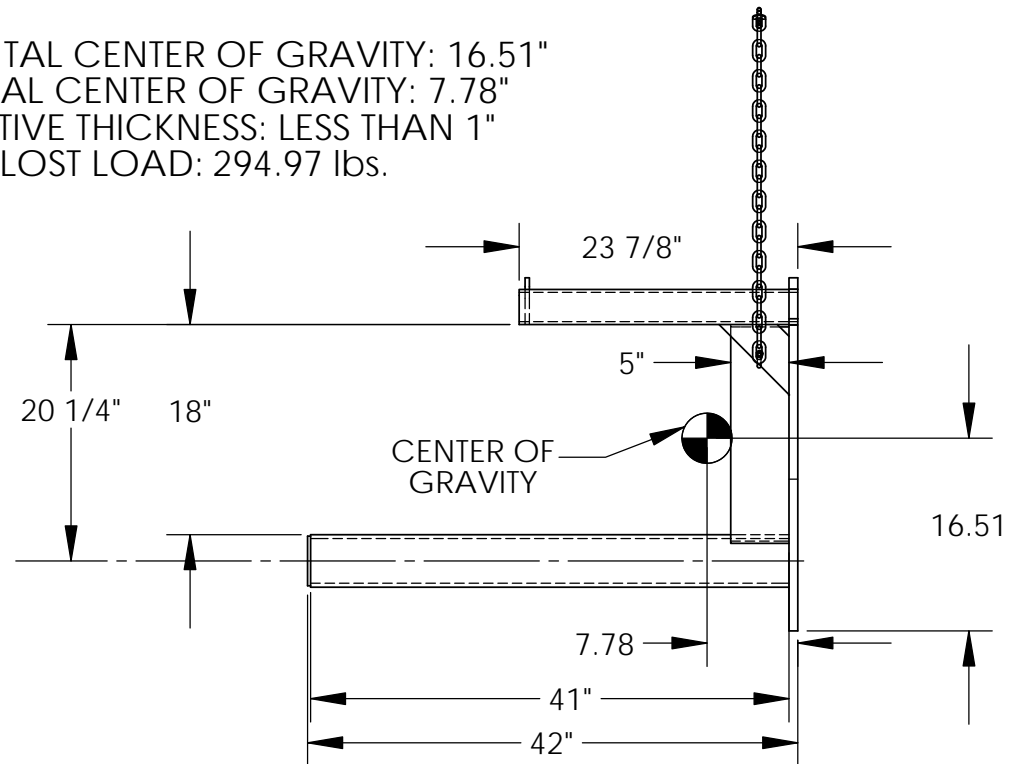
FORK MOUNTED COIL RAM - CCF-36-4

APPROX WEIGHT: 294.97 lbs.
DOES NOT INCLUDE WEIGHT OF POWER OR PACKAGING!!!

*** ANY ADDITIONS, DELETIONS, OR OMISSIONS MUST BE CORRECTED ON THIS DRAWING AS THIS DRAWING WILL BE CONSIDERED ALL INCLUSIVE ***
ALL GRAPHICS PROVIDED ARE FOR REFERENCE ONLY. IF CERTAIN DIMENSIONS ARE CRITICAL PLEASE VERIFY THOSE DIMENSIONS WITH YOUR SALESPERSON



HORIZONTAL CENTER OF GRAVITY: 16.51"
VERTICAL CENTER OF GRAVITY: 7.78"
EFFECTIVE THICKNESS: LESS THAN 1"
LOST LOAD: 294.97 lbs.



3-D VIEW SHOWN
FOR REFERENCE ONLY
SCALE: 1:24

STANDARD FEATURES

MODEL NUMBER IS CCF-36-4
OVERALL WIDTH IS 34"
OVERALL HEIGHT IS 30 1/4"
USABLE RAM LENGTH IS 41"
RAM O.D. IS 4 1/2"
UNIFORM CAPACITY IS 3000 LBS.
STANDARD FORK POCKETS ARE
7 1/2" W x 2 1/2" H USABLE ON
24" CENTERS

SPECIAL FEATURES

NONE

DIMENSION TOLERANCE ± 1/4"

APPROVAL	I, THE UNDERSIGNED, AGREE THAT THE PRODUCT AS REPRESENTED SATISFIES DESIGN AND DIMENSION REQUIREMENTS. I ALSO ACKNOWLEDGE MY DUTY TO CONFIRM PRODUCT AND INSTALLATION COMPLIANCE WITH ALL APPLICABLE FEDERAL, STATE AND LOCAL REGULATIONS AND STANDARDS.	
	ALL SPECIAL UNITS ARE NON-RETURNABLE [] As drawn [] As marked	
Signed: _____		Date: _____
LEAD TIME WILL START UPON RECEIPT OF SIGNED APPROVAL DRAWING		

FOR INTERNAL USE ONLY PROJECT SIGN OFF	
SALES	
ENG.	
FAB.	
POWER	

DISTRIBUTOR'S NAME: VESTIL MANUFACTURING		P.O.# X
DRAWN BY: B.NOTHNAGEL		W.O.# X
DATE: 02/03/2015	SALES: X	FILE NAME:
REFERENCE: X	SCALE: 1:16	08-007-263
QUOTED LEAD TIME: X	QUOTE # X	