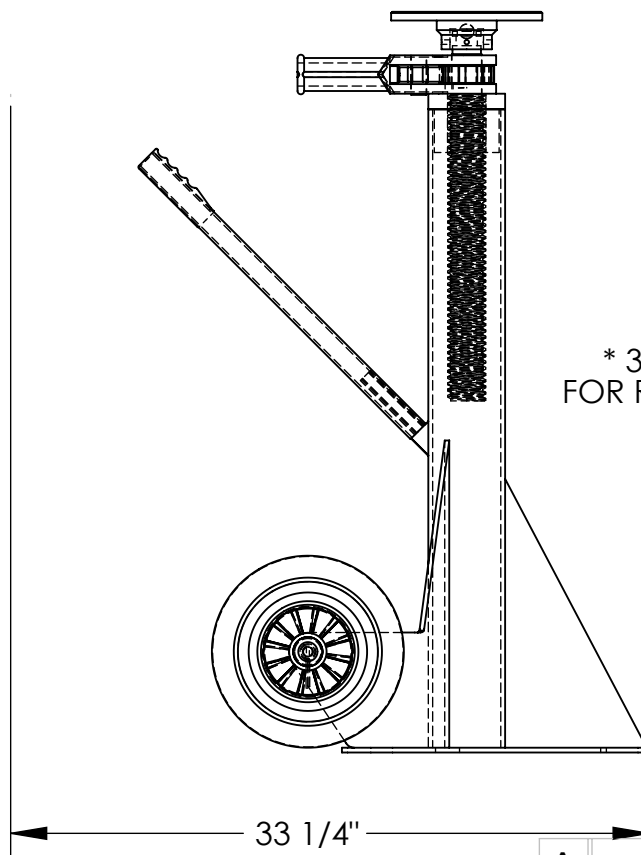
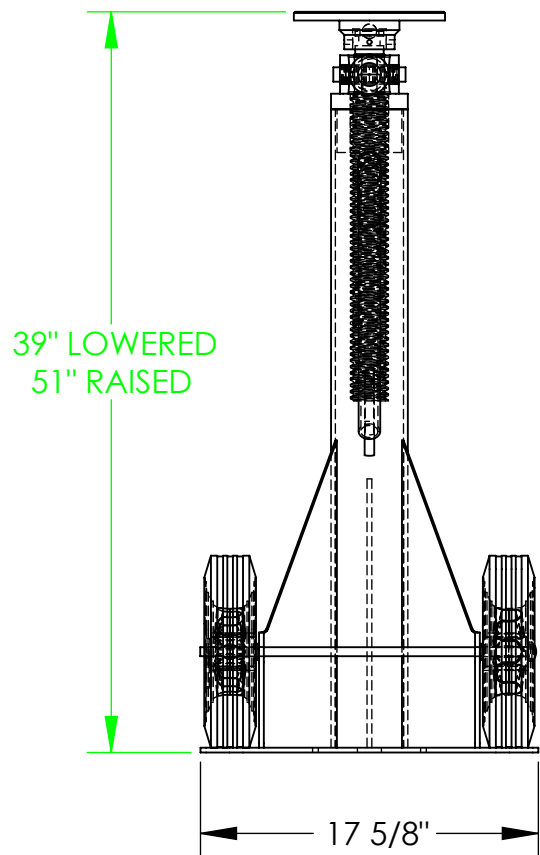


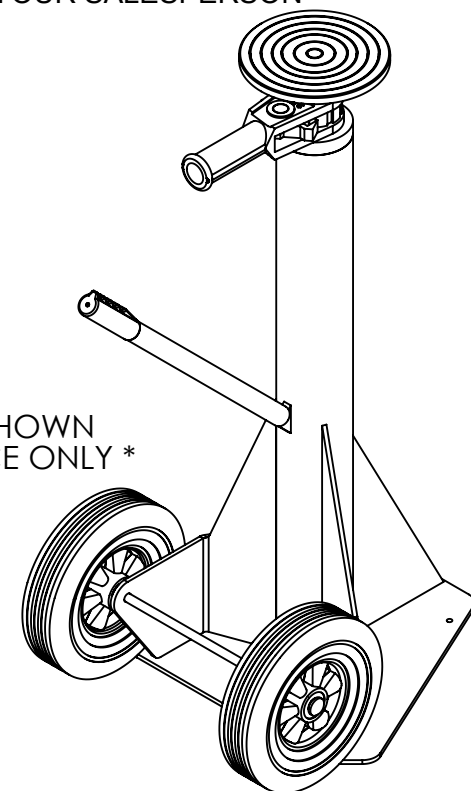
RATCHET TRAILER STABILIZING JACK - SP-TOP-R

*** ANY ADDITIONS, DELETIONS, OR OMISSIONS MUST BE CORRECTED ON THIS DRAWING AS THIS DRAWING WILL BE CONSIDERED ALL INCLUSIVE ***

ALL GRAPHICS PROVIDED ARE FOR REFERENCE ONLY. IF CERTAIN DIMENSIONS ARE CRITICAL PLEASE VERIFY THOSE DIMENSIONS WITH YOUR SALESPERSON



* 3D VIEW SHOWN FOR REFERENCE ONLY *



STANDARD FEATURES

MODEL NUMBER: SP-TOP-R
 OVERALL WIDTH: 17 5/8"
 OVERALL LENGTH: 33 1/4"
 SERVICE RANGE: 39" TO 51"
 STATIC CAPACITY: 100,000 POUNDS
 LIFTING CAPACITY: 40,000 POUNDS

SPECIAL FEATURES

NONE

APPROX. WEIGHT: 110.37

ALL SPECIAL UNITS ARE NON-RETURNABLE

APPROVAL

I, the undersigned, hereby approve this print. This includes my approval of design & dimensions

As drawn As marked

Signed: _____ Date: _____

LEAD TIME WILL START UPON RECEIPT OF SIGNED APPROVAL DRAWING

DISTRIBUTOR'S NAME:		P.O.#
VESTIL MANUFACTURING		X
DRAWN BY:	DATE:	W.O.#
KY	7/19/05	X
REFERENCE:	SCALE: 1:10	SALES:
X	QUOTE #	X
	X	FILE NAME:
		13-007-028