

The **ATRIUM**

# FORKLIFT ENCLOSURE



# The **ATRIUM**

## FORKLIFT ENCLOSURE

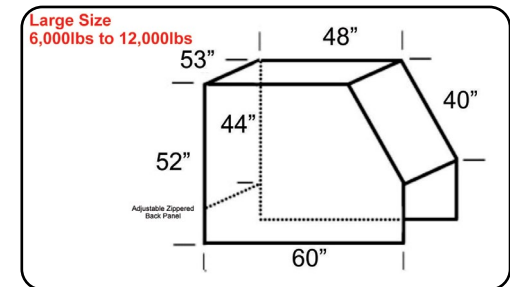
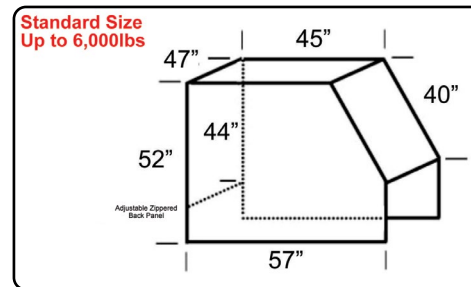
### The Atrium Features:

- Durable vinyl plastic
- Maintains operator visibility
- Cold crack resistance of -10F
- Great for windy conditions
- Securable with Velcro straps for easy installation
- Fits almost any counterbalance lift truck
- Prevents cold air from entering operator compartment



Standard - Up to 6,000lbs  
 ATR-1-D..... **\$290<sup>00</sup>**

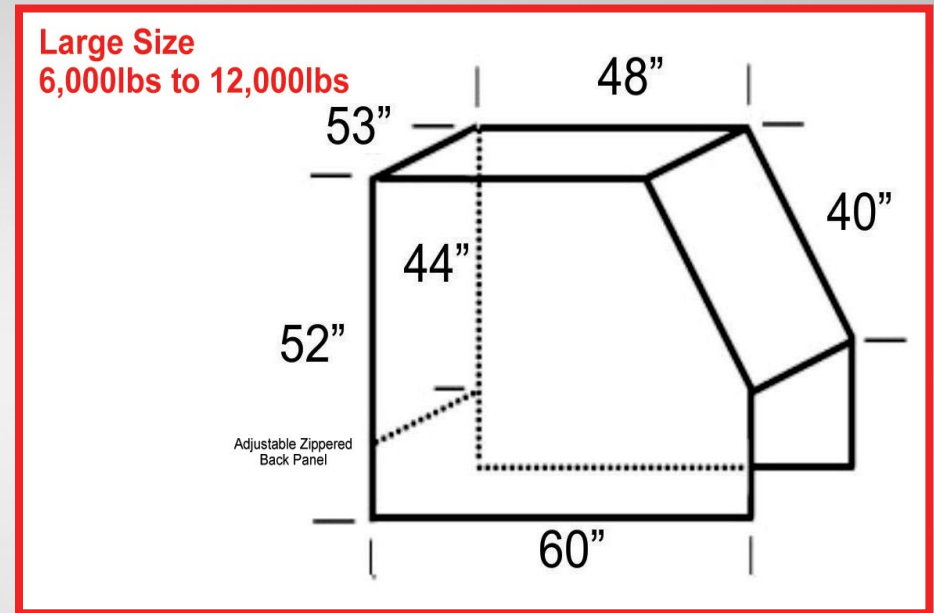
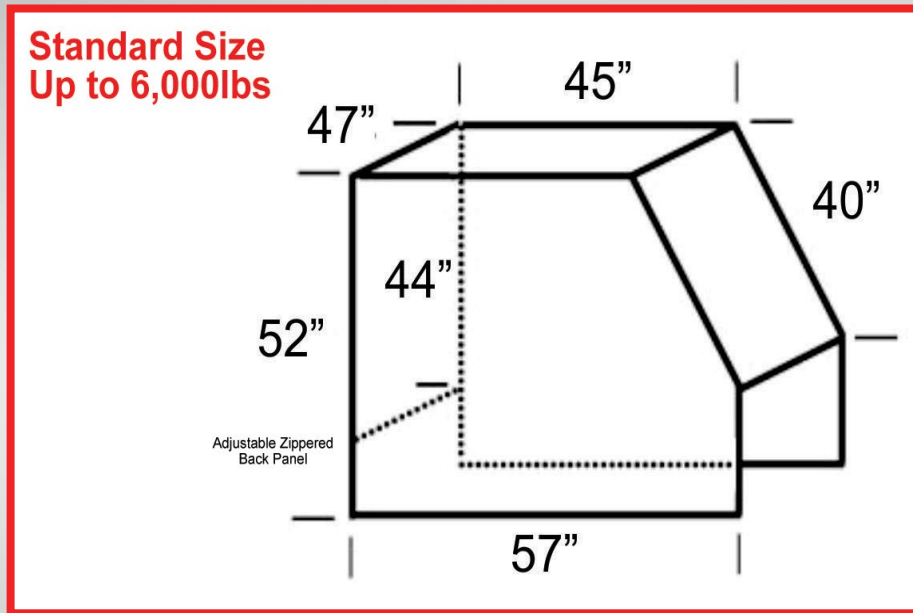
Large - 6,000 to 12,000lbs  
 ATR-2-D..... **\$310<sup>00</sup>**





# ENCLOSURE DIMENSIONS

## FORKLIFT ENCLOSURE



Click to open  
The Atrium Video.

